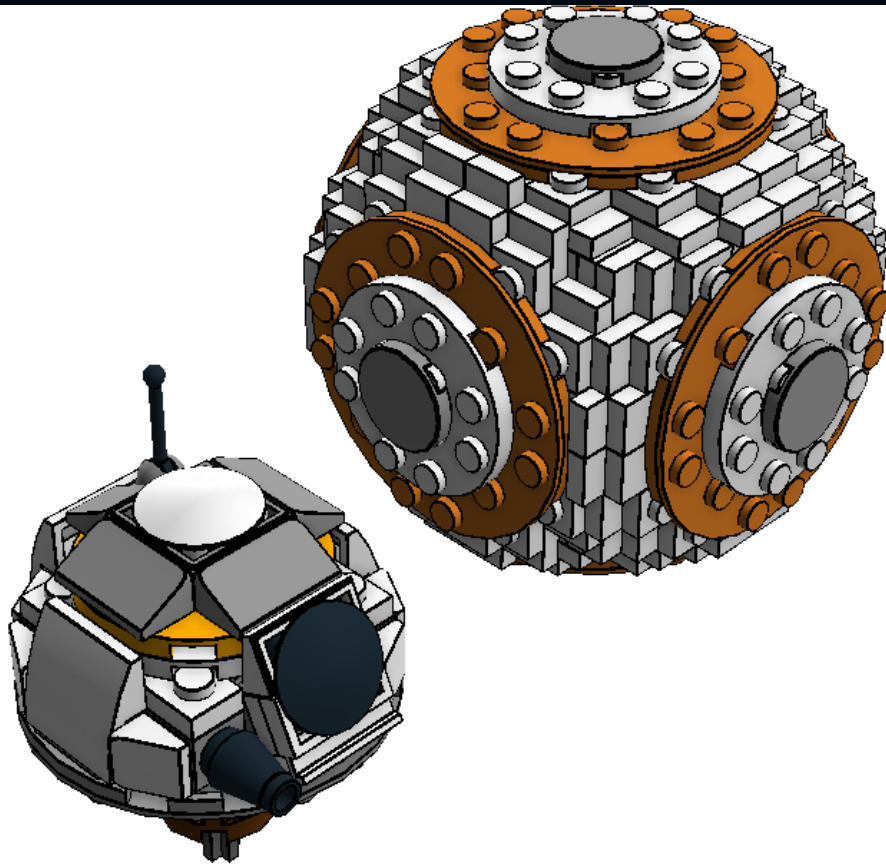
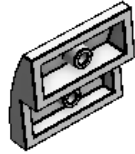
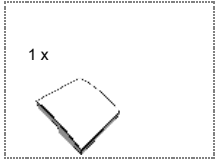


LEGO DIGITAL DESIGNER 4.2

Model Name:
BB-8 v2 color orange
Number of Bricks: 242

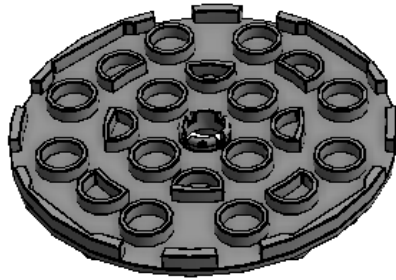


Step 1 of 87

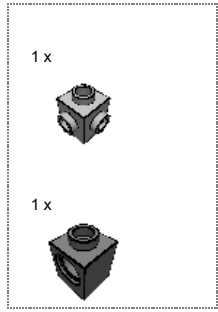


Step 2 of 87

1 x



Step 3 of 87

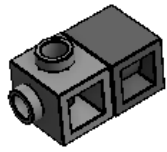


Step 4 of 87

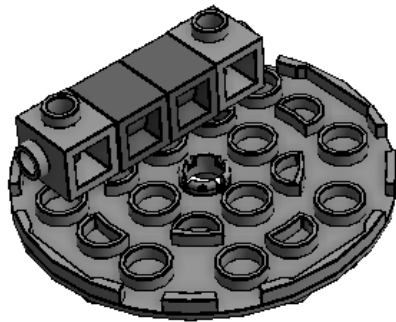
1 x



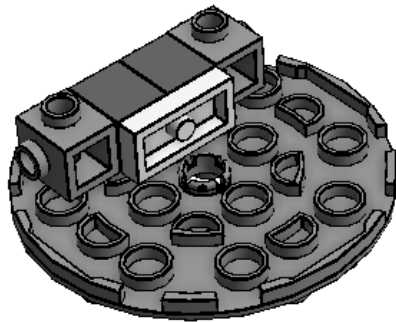
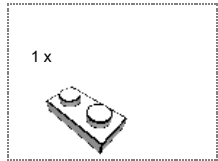
1 x



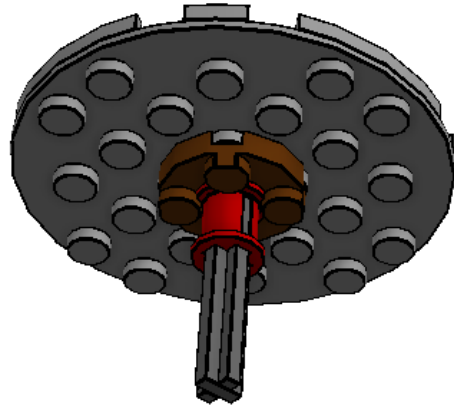
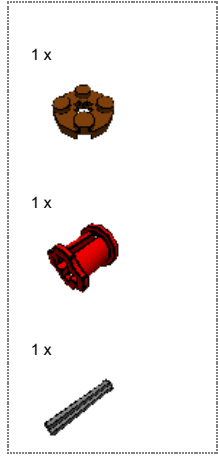
Step 5 of 87



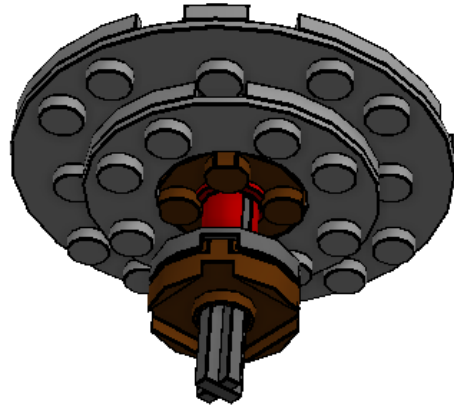
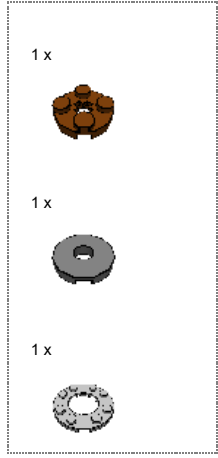
Step 6 of 87



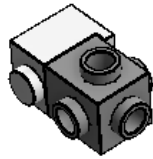
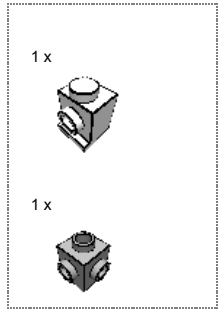
Step 7 of 87



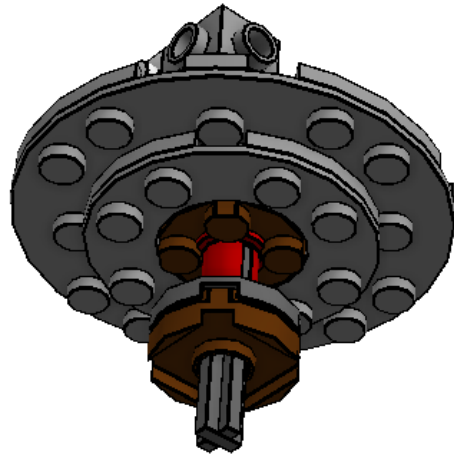
Step 8 of 87



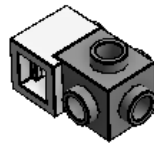
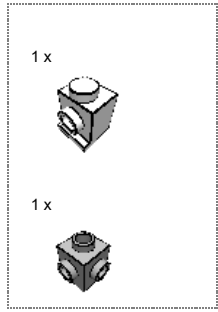
Step 9 of 87



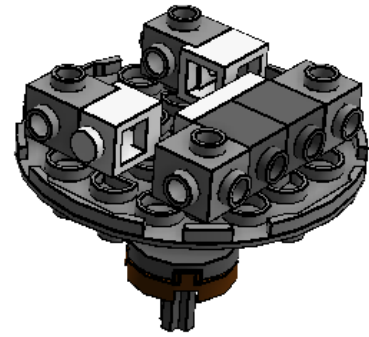
Step 10 of 87



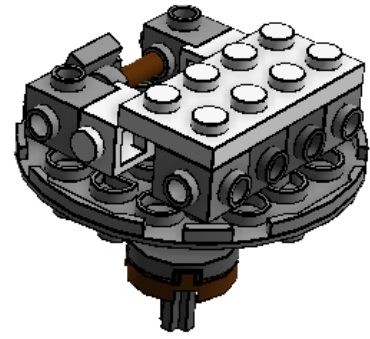
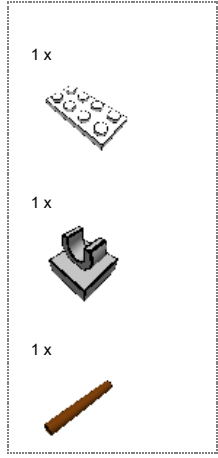
Step 11 of 87



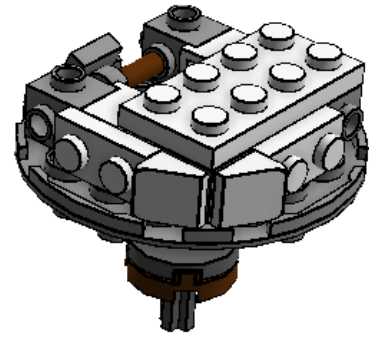
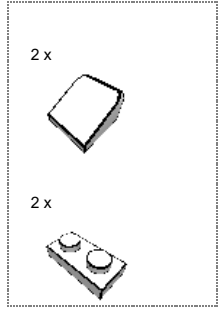
Step 12 of 87



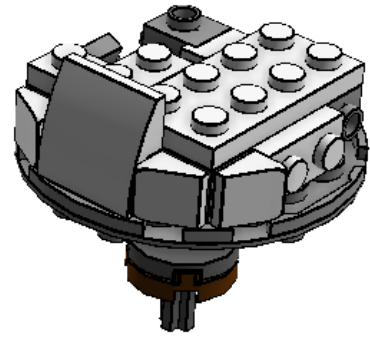
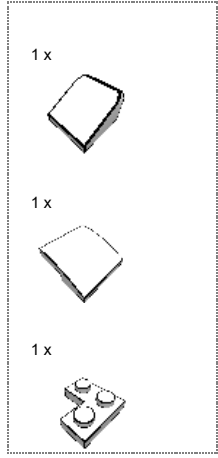
Step 13 of 87



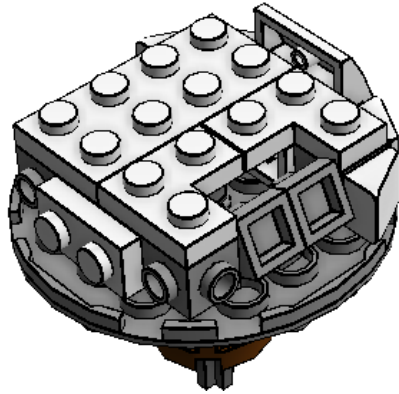
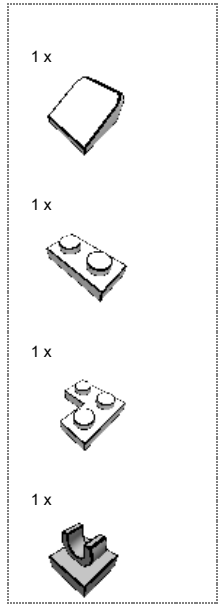
Step 14 of 87



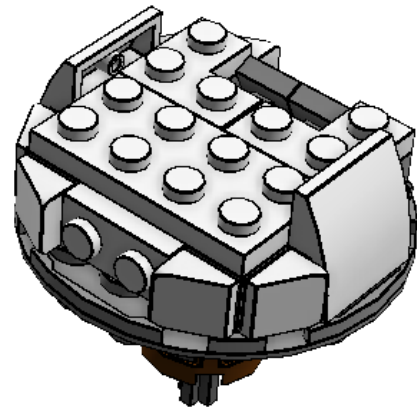
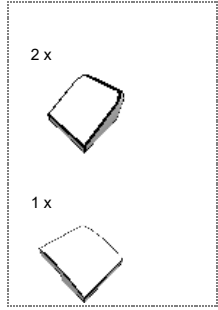
Step 15 of 87



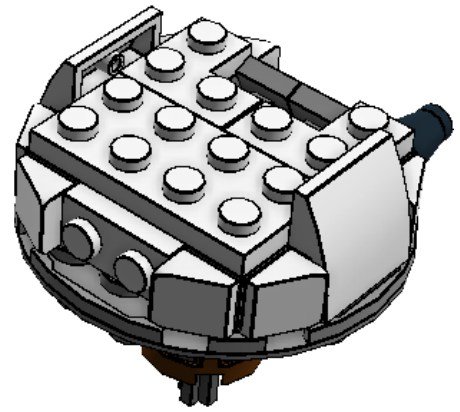
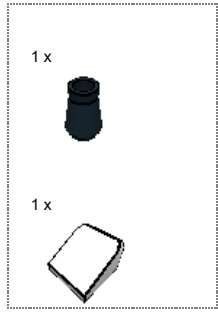
Step 16 of 87



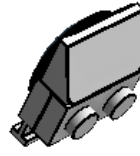
Step 17 of 87



Step 18 of 87



Step 19 of 87



1 x



1 x

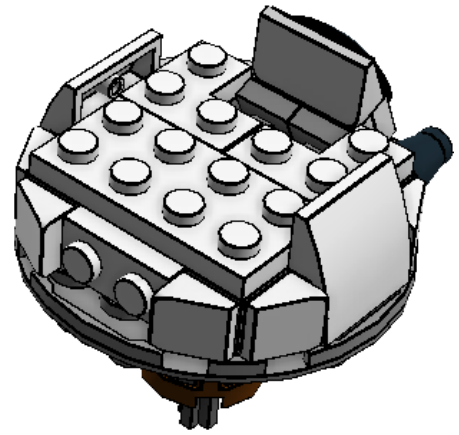


1 x



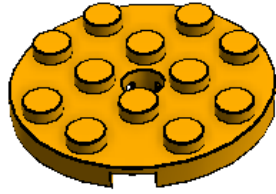
1 x



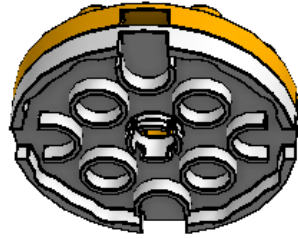
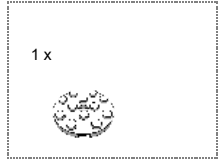


Step 21 of 87

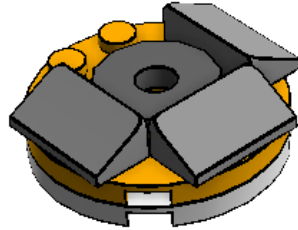
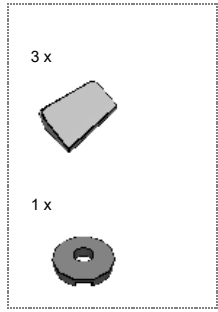
1 x







Step 22 of 87



Step 23 of 87



Step 24 of 87

- 1 x 
- 1 x 
- 1 x 
- 1 x 



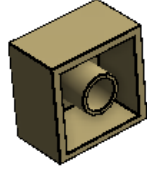
Step 25 of 87



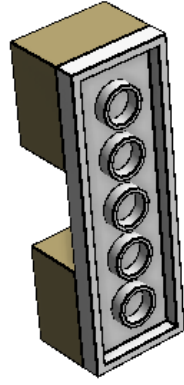
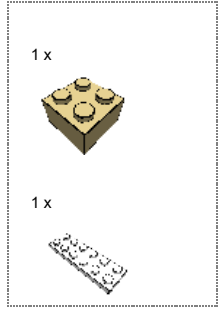
Step 26 of 87



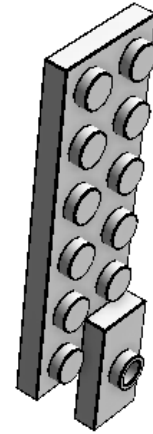
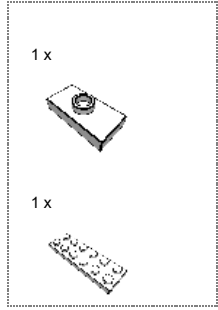
Step 27 of 87



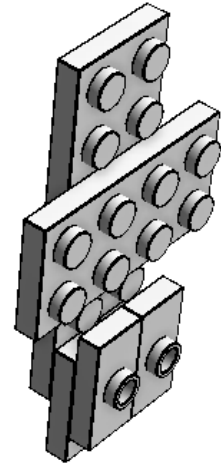
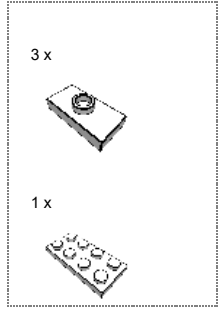
Step 28 of 87



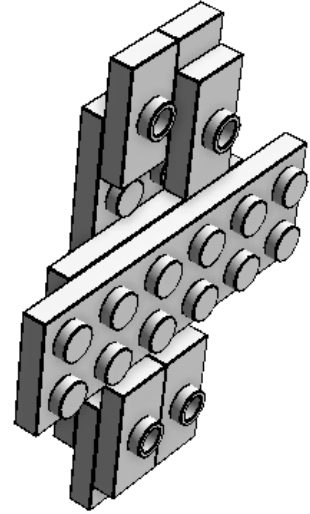
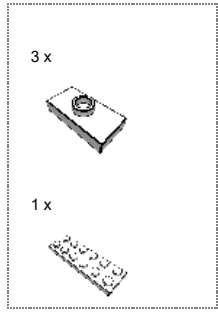
Step 29 of 87



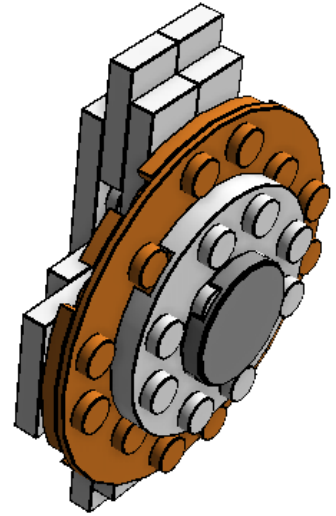
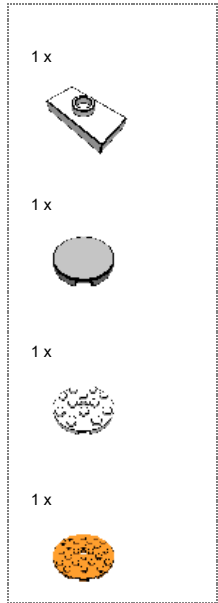
Step 30 of 87



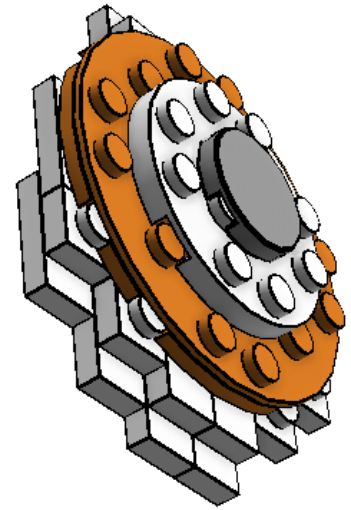
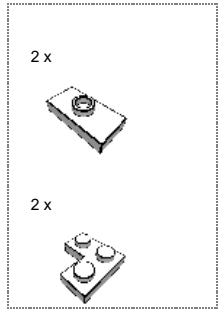
Step 31 of 87



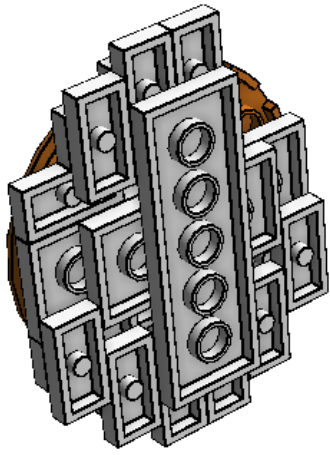
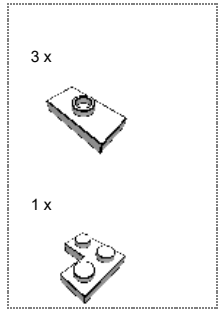
Step 32 of 87



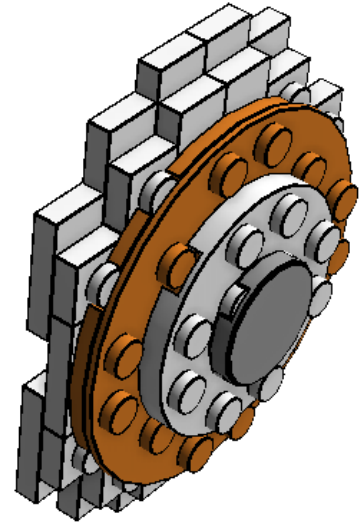
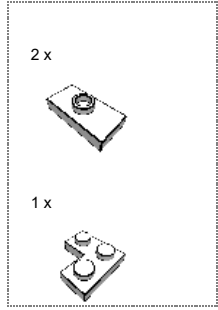
Step 33 of 87



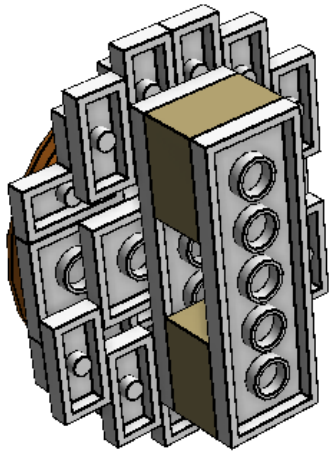
Step 34 of 87



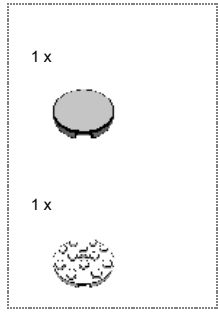
Step 35 of 87



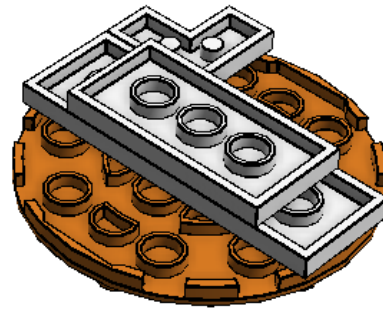
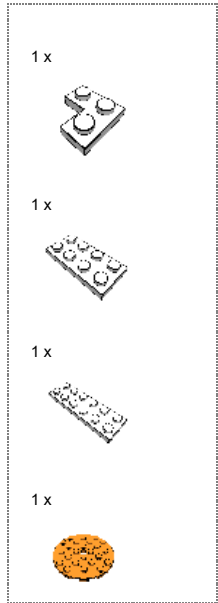
Step 36 of 87



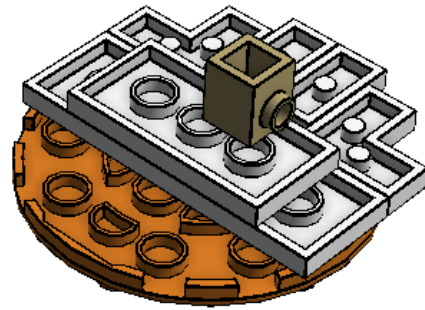
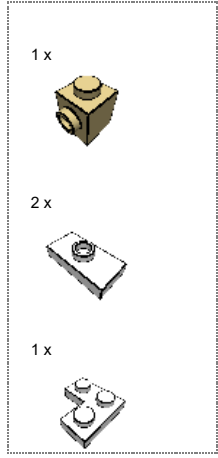
Step 37 of 87



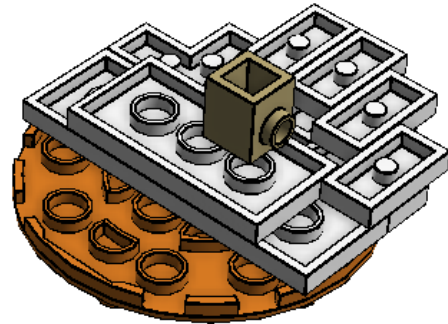
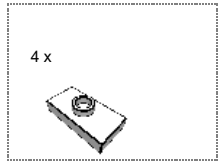
Step 38 of 87



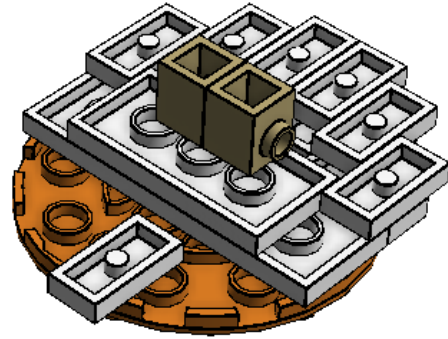
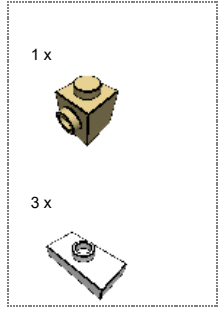
Step 39 of 87



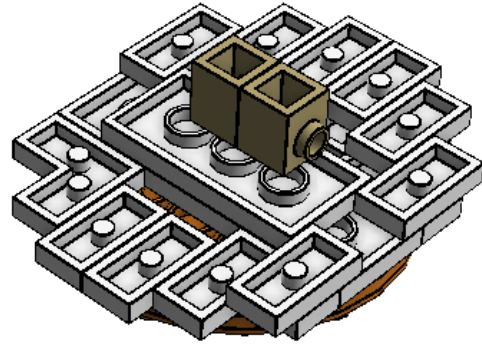
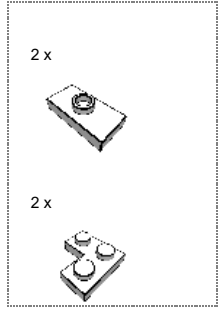
Step 40 of 87



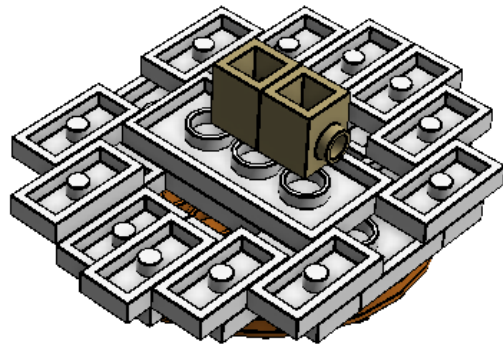
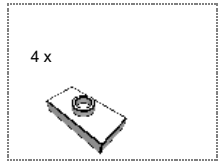
Step 41 of 87



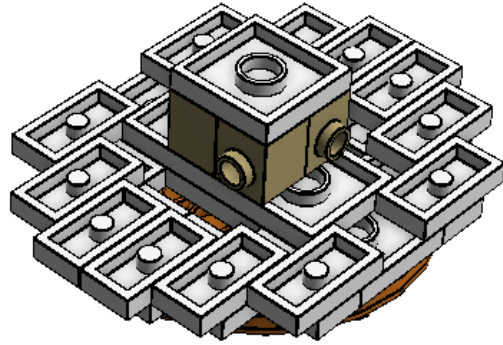
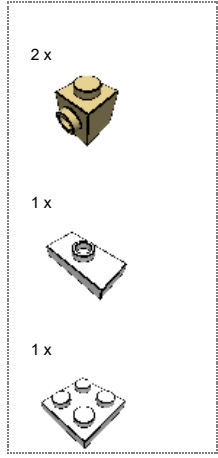
Step 42 of 87



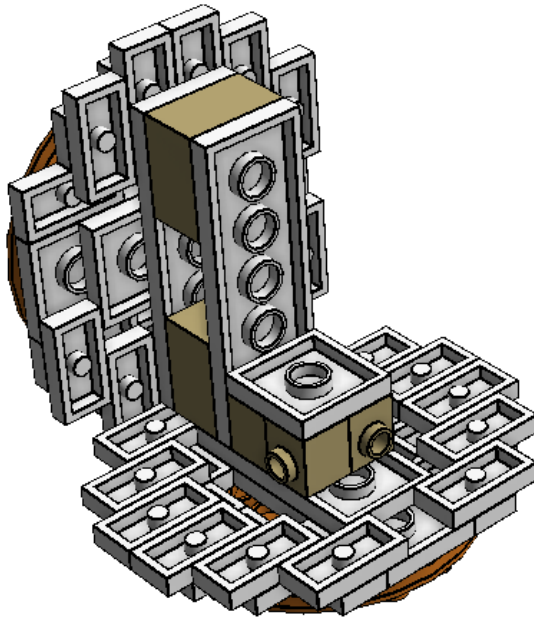
Step 43 of 87



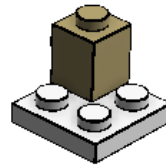
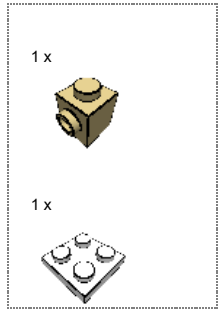
Step 44 of 87



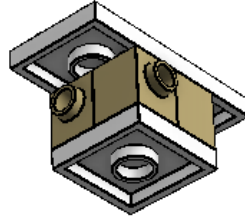
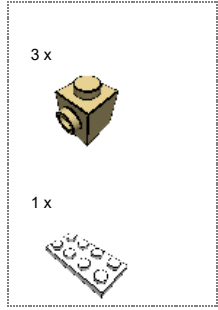
Step 45 of 87



Step 46 of 87



Step 47 of 87



Step 48 of 87

1 x



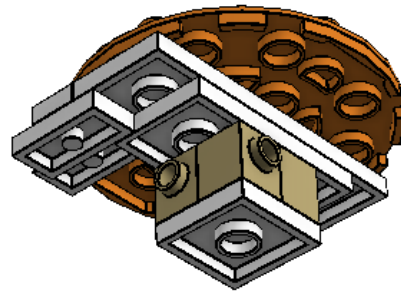
1 x



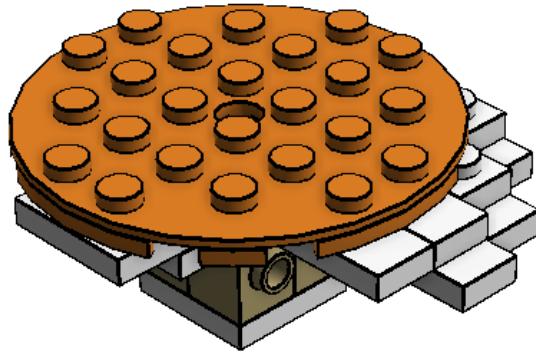
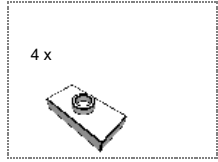
1 x



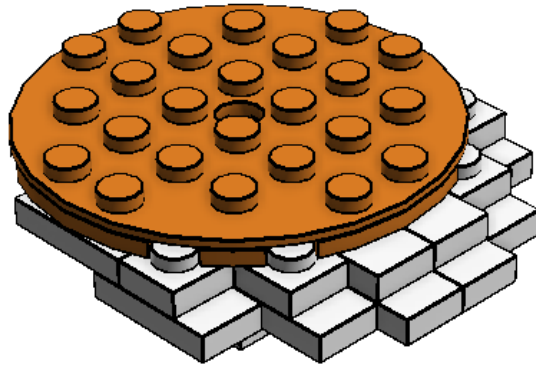
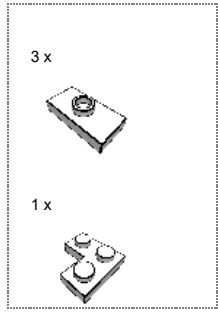
1 x



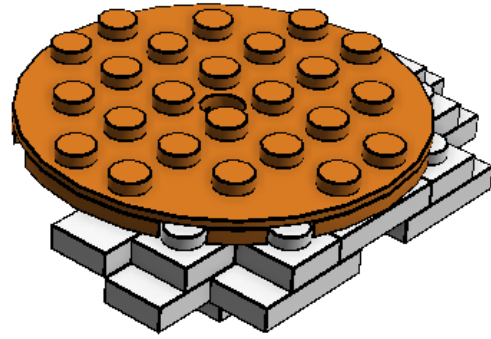
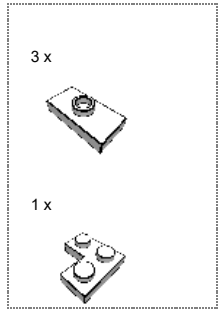
Step 49 of 87



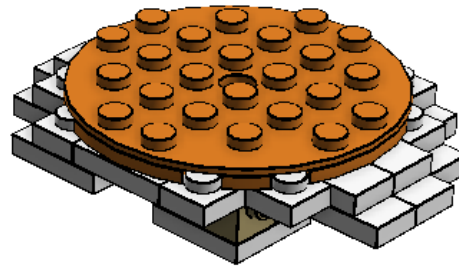
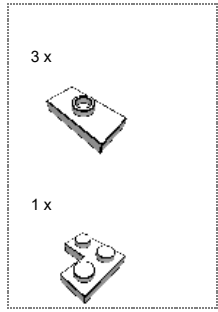
Step 50 of 87



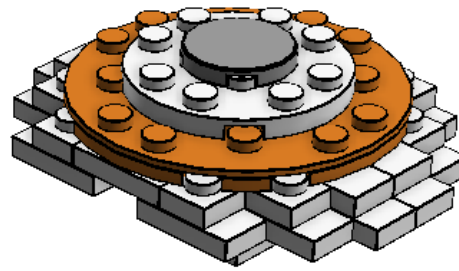
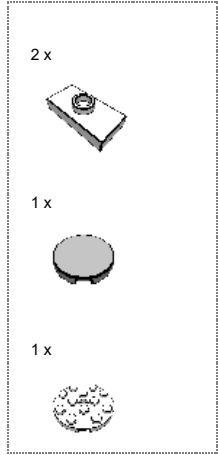
Step 51 of 87



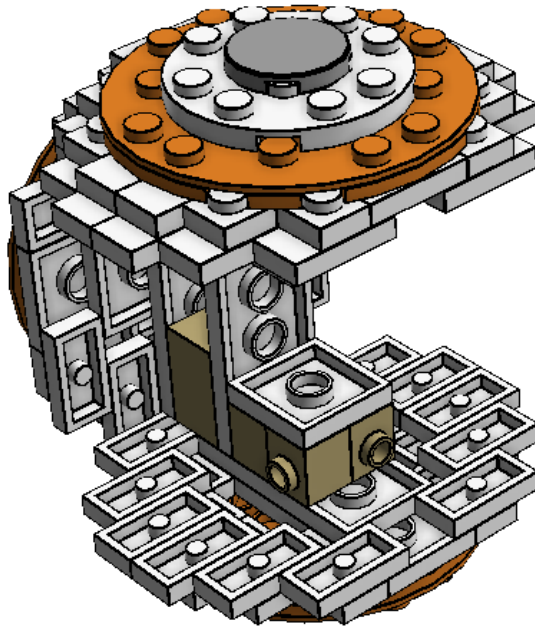
Step 52 of 87



Step 53 of 87

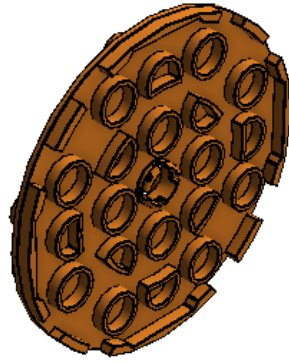


Step 54 of 87

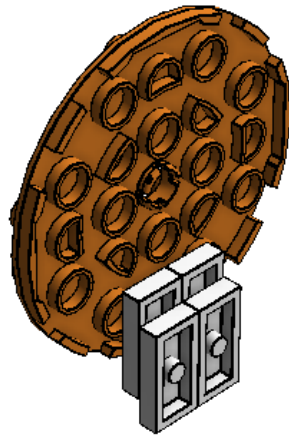
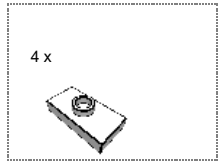


Step 55 of 87

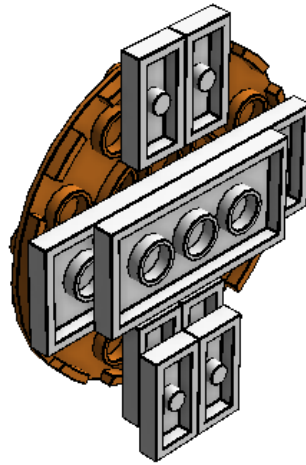
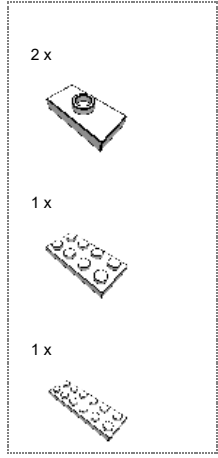
1 x



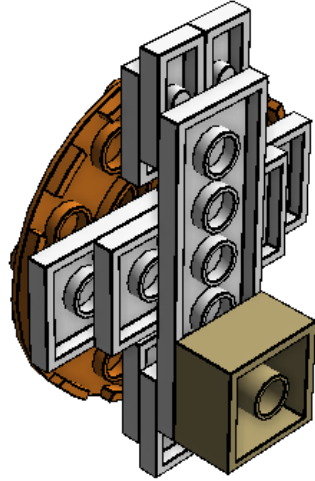
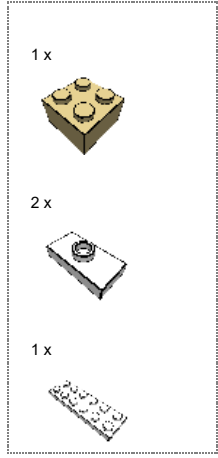
Step 56 of 87



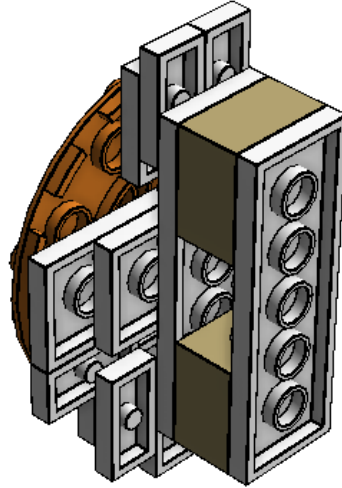
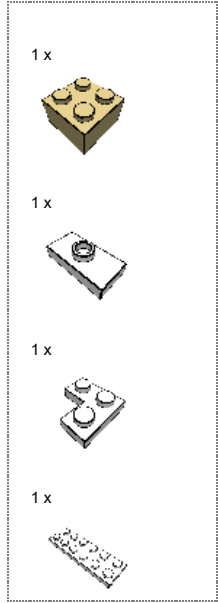
Step 57 of 87



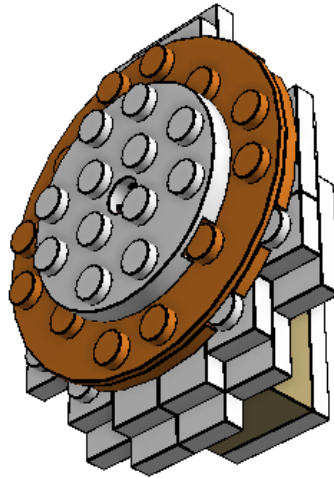
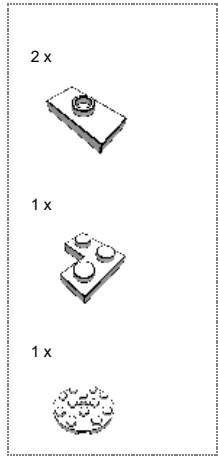
Step 58 of 87



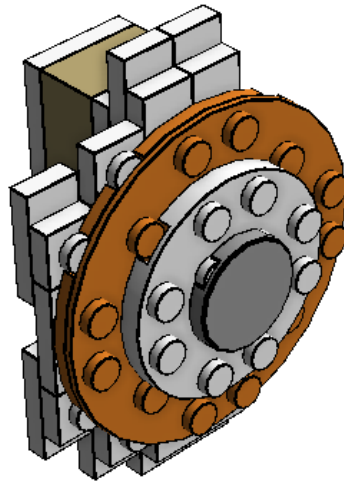
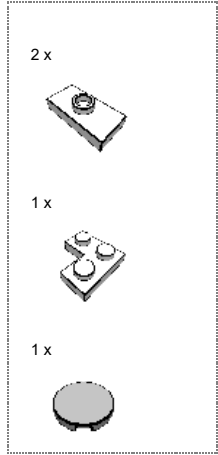
Step 59 of 87



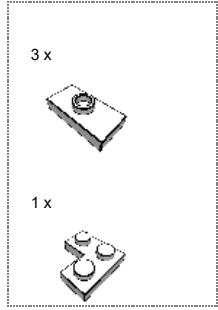
Step 60 of 87



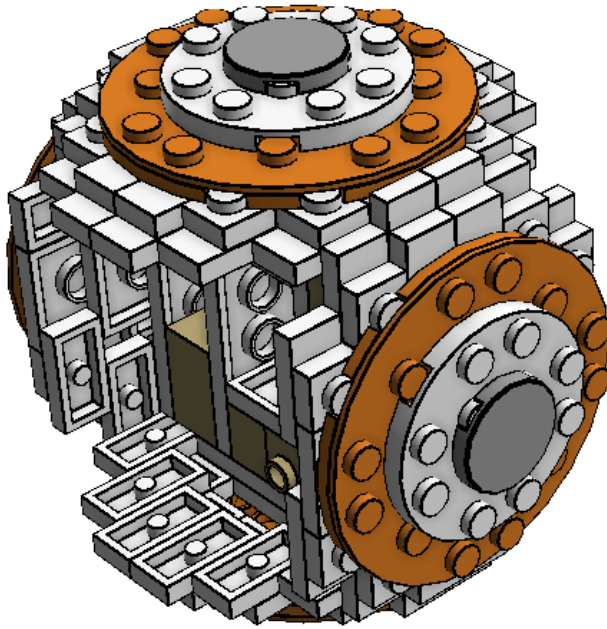
Step 61 of 87



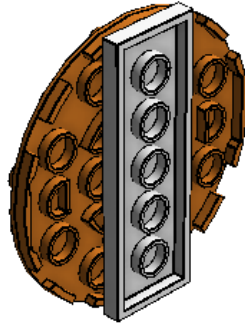
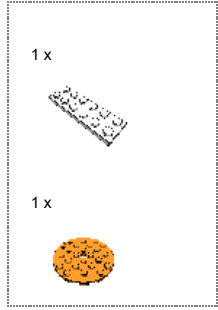
Step 62 of 87



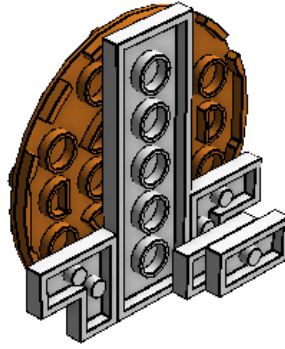
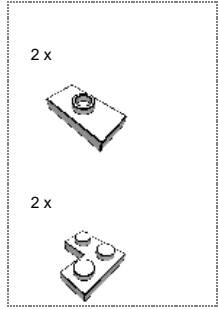
Step 63 of 87



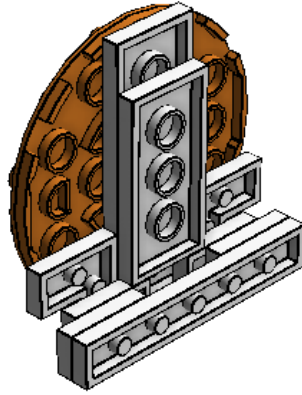
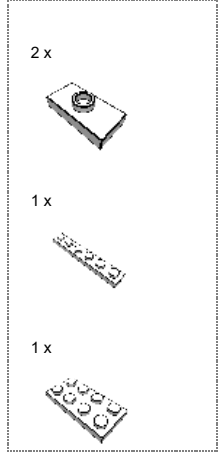
Step 64 of 87



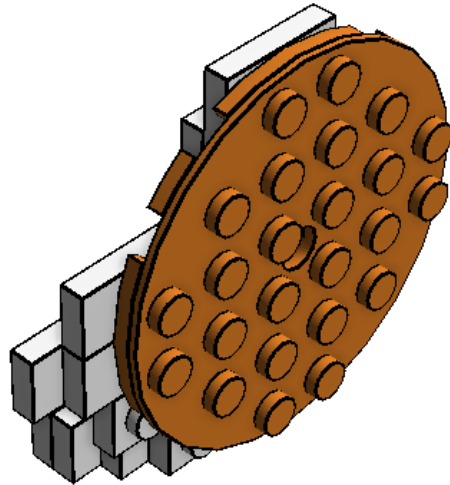
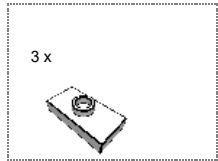
Step 65 of 87



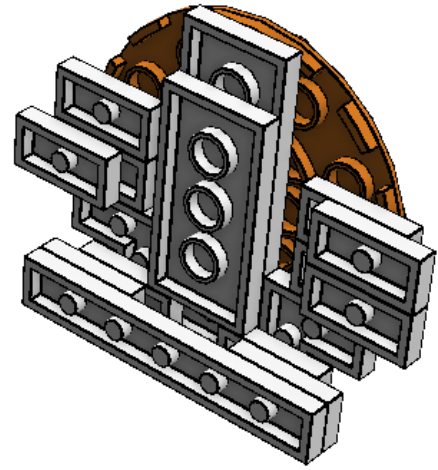
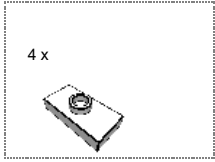
Step 66 of 87



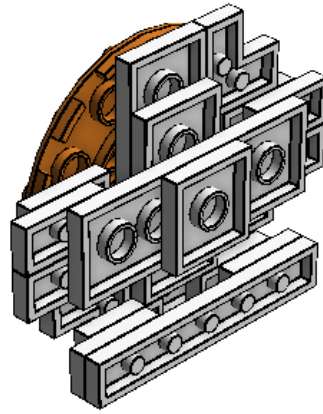
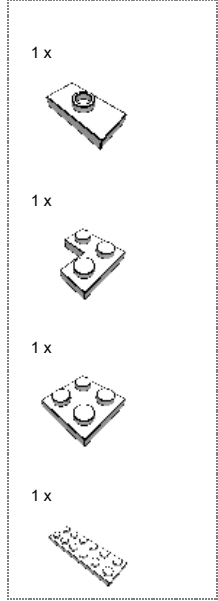
Step 67 of 87



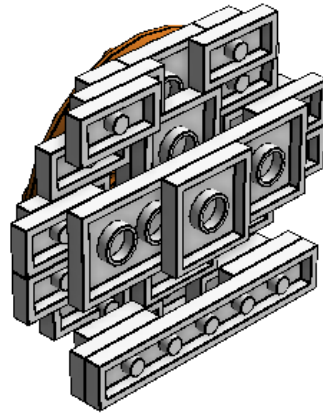
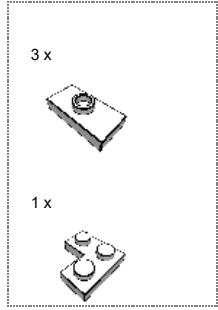
Step 68 of 87



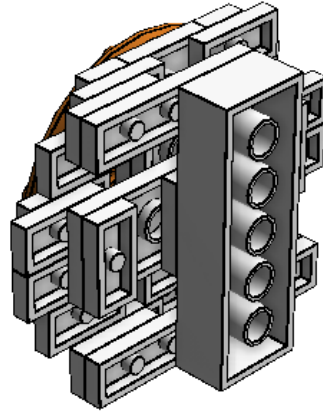
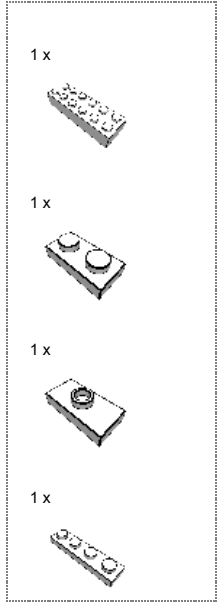
Step 69 of 87



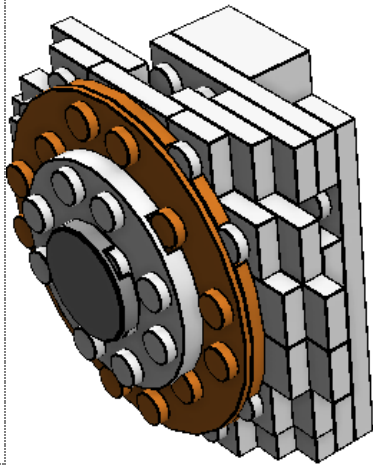
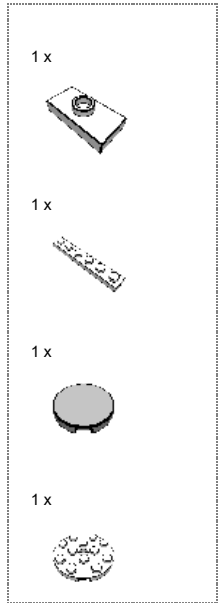
Step 70 of 87



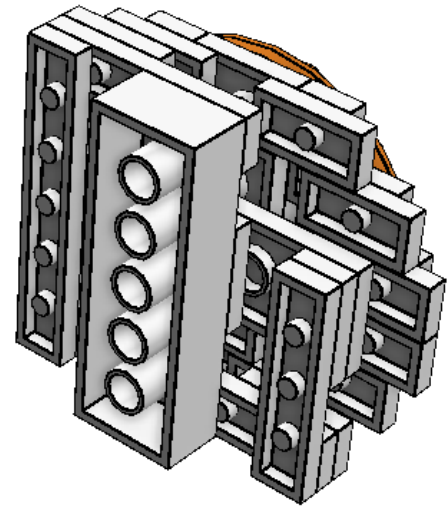
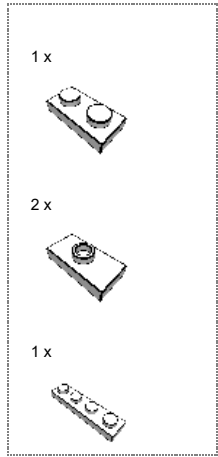
Step 71 of 87



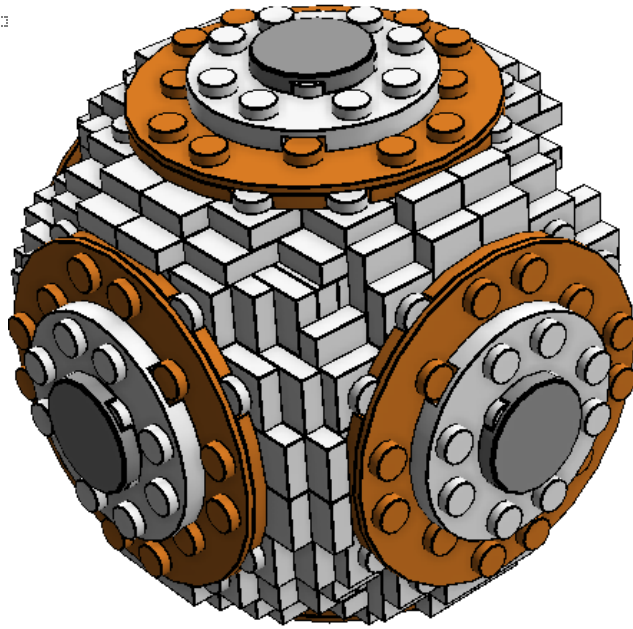
Step 72 of 87



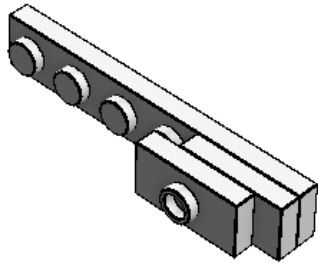
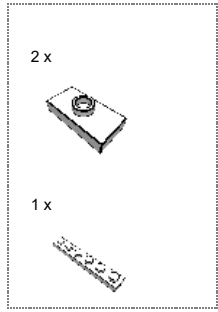
Step 73 of 87



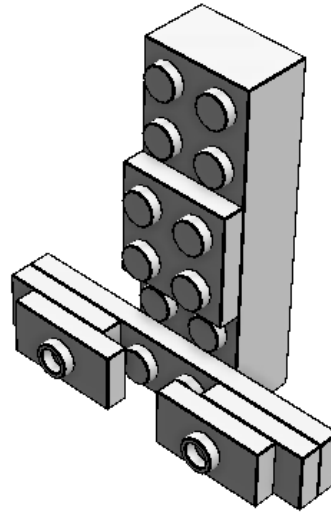
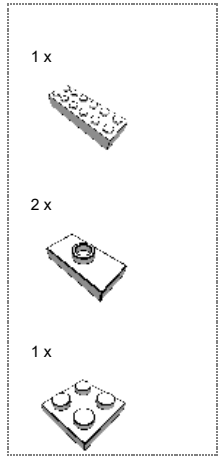
Step 74 of 87



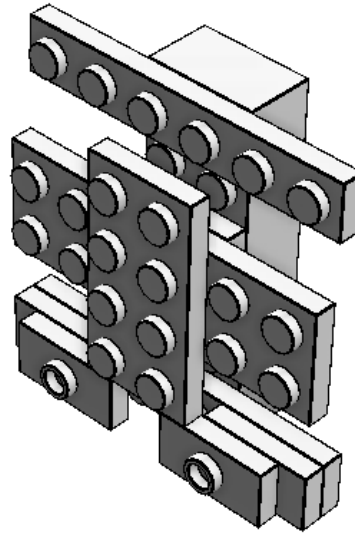
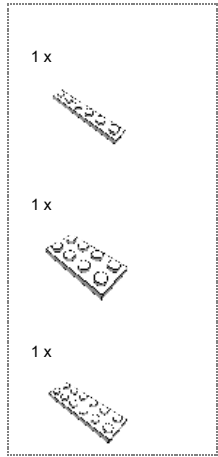
Step 75 of 87



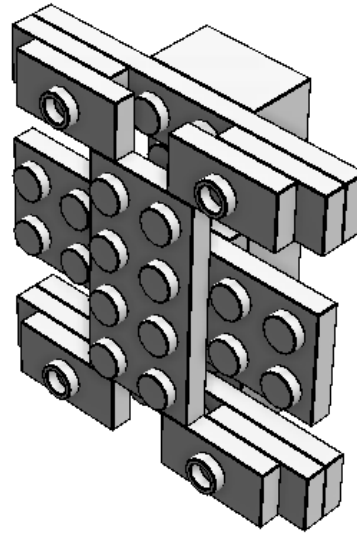
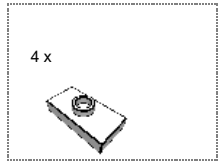
Step 76 of 87



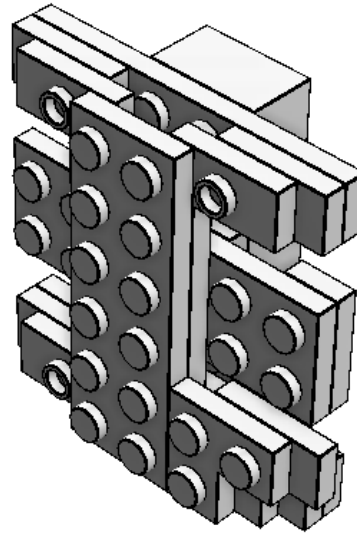
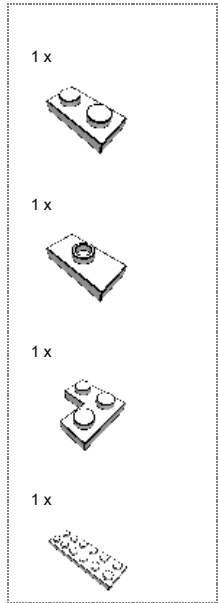
Step 77 of 87



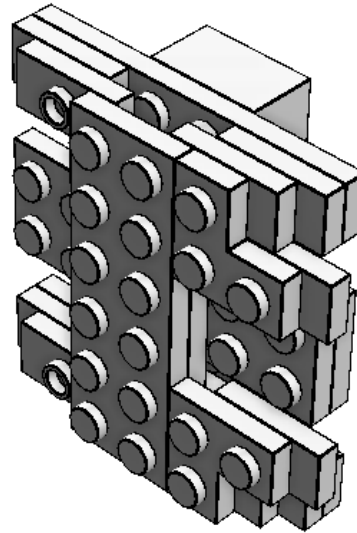
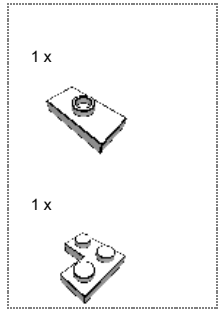
Step 78 of 87



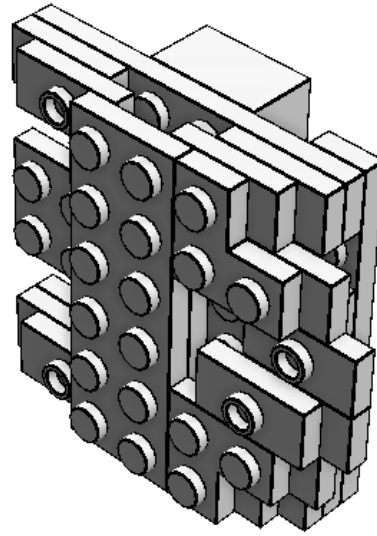
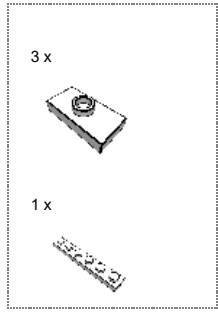
Step 79 of 87



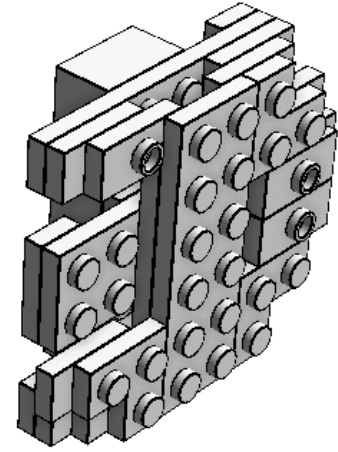
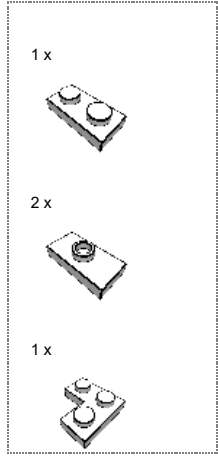
Step 80 of 87



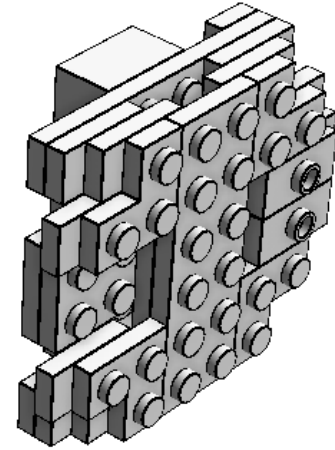
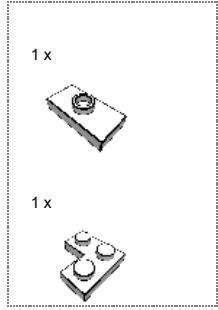
Step 81 of 87



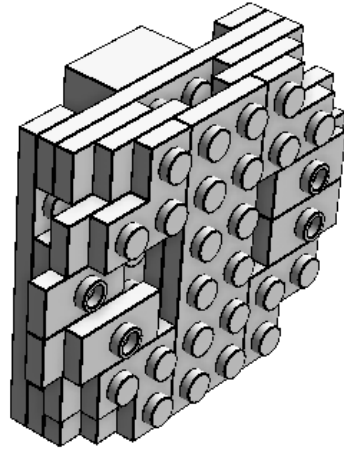
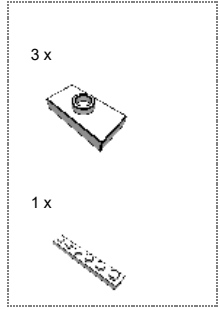
Step 82 of 87



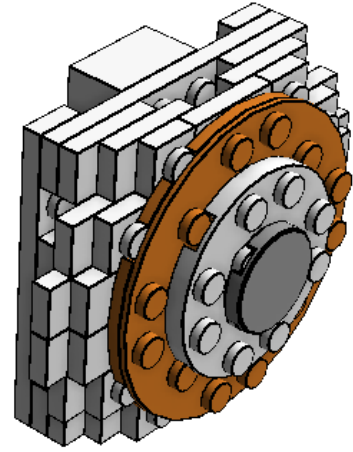
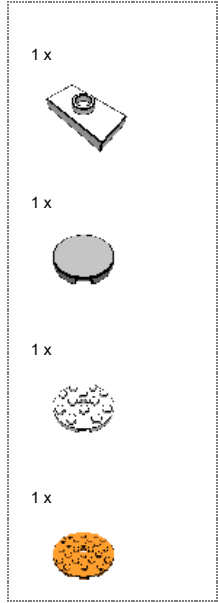
Step 83 of 87



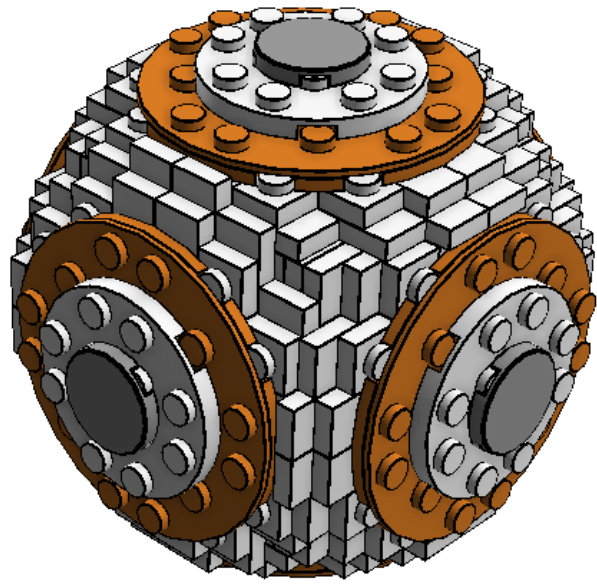
Step 84 of 87

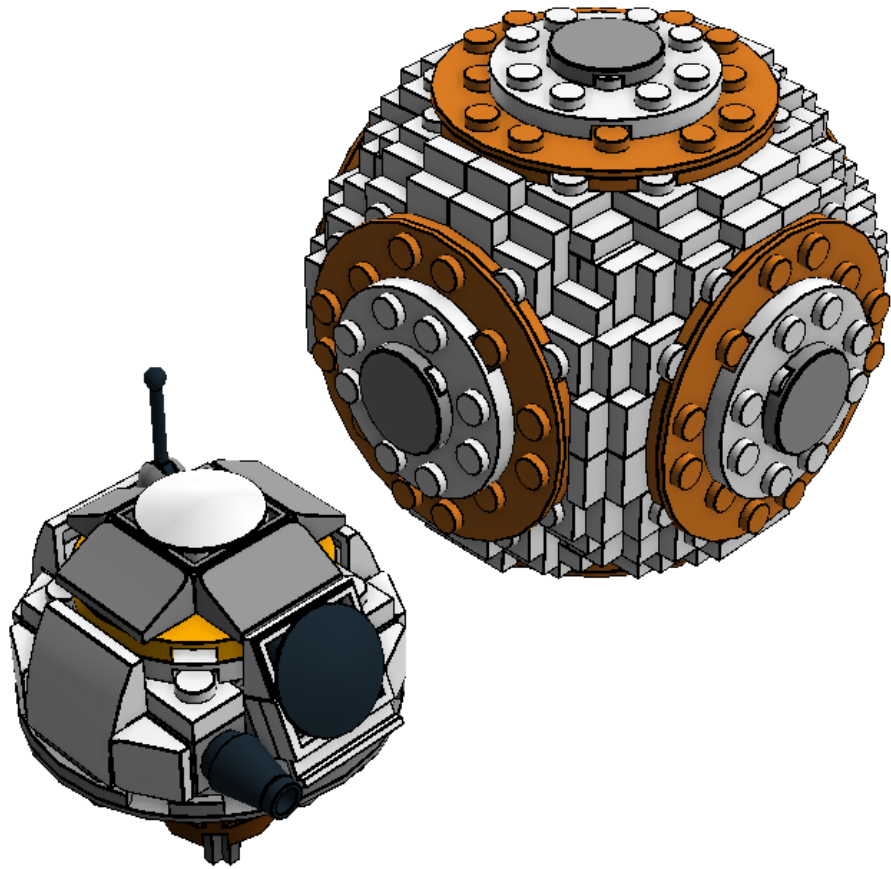














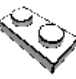
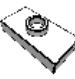






















Step 85 of 87



Step 86 of 87





| | | | | | |
|---|--|---|---|--|---|
| 4 x  | BRICK 2X2 - Brick Yellow | 2 x  | BRICK 2X6 - White | 1 x  | NOSE CONE SMALL 1X1 - Black |
| 2 x  | ANGULAR BRICK 1X1 - White | 8 x  | BRICK 1X1 W. 1 KNOB - Brick Yellow | 4 x  | BRICK 1X1 W. 4 KNOBS - Medium Stone Grey |
| 2 x  | TECHNIC BRICK 1X1 - Dark Stone Grey | 7 x  | ROOF TILE 1X1X2/3, PC - White | 1 x  | ROOF TILE 1X1X2/3, PC - Medium Stone Grey |
| 1 x  | ROOF TILE 1 X 2 X 2/3, ABS - White | 3 x  | ROOF TILE 1 X 2 X 2/3, ABS - Medium Stone Grey | 3 x  | PLATE W. BOW 2X2X2/3 - White |
| 9 x  | PLATE 1X2 - White | 102 x  | PLATE 1X2 W. 1 KNOB - White | 26 x  | CORNER PLATE 1X2X2 - White |
| 4 x  | PLATE 2X2 - White | 2 x  | PLATE 1X4 - White | 1 x  | PLATE 2X2 W 1 KNOB - Medium Stone Grey |
| 6 x  | PLATE 1X6 - White | 7 x  | PLATE 2X4 - White | 12 x  | PLATE 2X6 - White |
| 1 x  | SLIDE SHOE ROUND 2X2 - White | 1 x  | SLIDE SHOE ROUND 2X2 - Black | 2 x  | PLATE 2X2 ROUND - Reddish Brown |
| 6 x  | FLAT TILE 2X2, ROUND - Medium Stone Grey | 2 x  | FLAT TILE 2x2 ROUND W. HOLE Ø4.85 - Dark Stone Grey | 1 x  | Plate Round 4X4 with Ø16mm hole - Medium Stone Grey |
| 7 x  | PLATE 4X4 ROUND W. SNAP - White | 1 x  | PLATE 4X4 ROUND W. SNAP - Flame Yellowish Orange | 6 x  | PLATE 6X6 ROUND WITH TUBE SNAP - Bright Orange |
| 1 x  | PLATE 6X6 ROUND WITH TUBE SNAP - Medium Stone Grey | 2 x  | PLATE 1X1 W. UP RIGHT HOLDER - Medium Stone Grey | 1 x  | PLATE 1X2 WITH SLIDE - White |
| 1 x  | BUSH FOR CROSS AXLE - Bright Red | 1 x  | CROSS AXLE 4M WITH END STOP - Dark Stone Grey | 1 x  | SHAFT 3M Ø3.2 - Reddish Brown |
| 1 x | MINI ANTENNA - Black,Medium Stone Grey | | | | |



© 2012 The LEGO Group. All rights reserved.
Use of the LEGO Digital Designer html print tool, signifies your agreement to the terms of use.